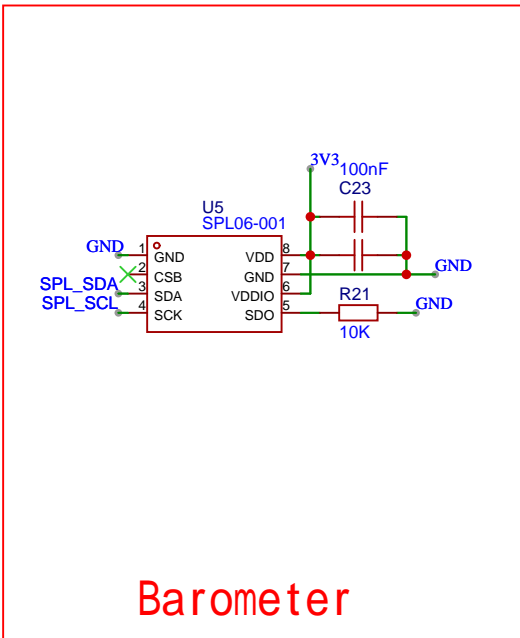
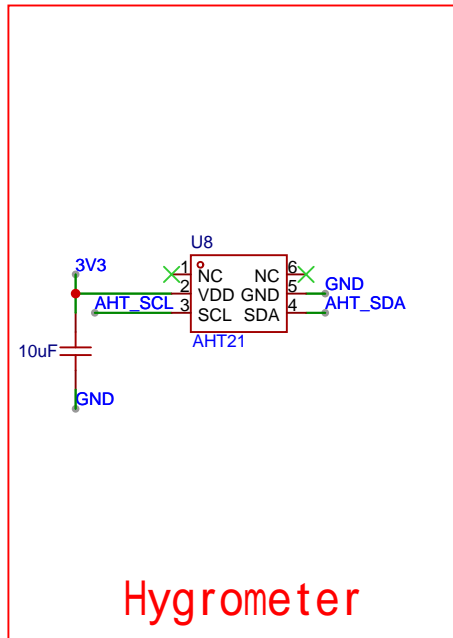


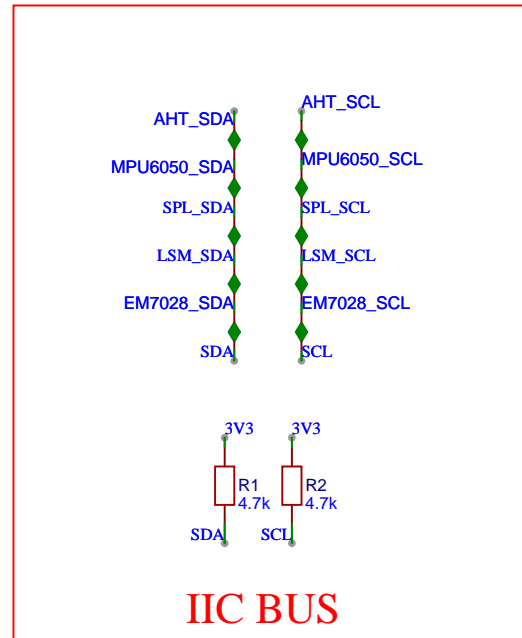
MPU6050



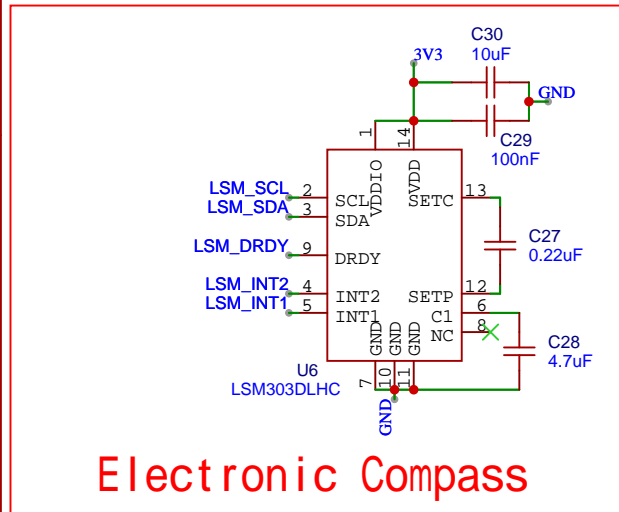
Barometer



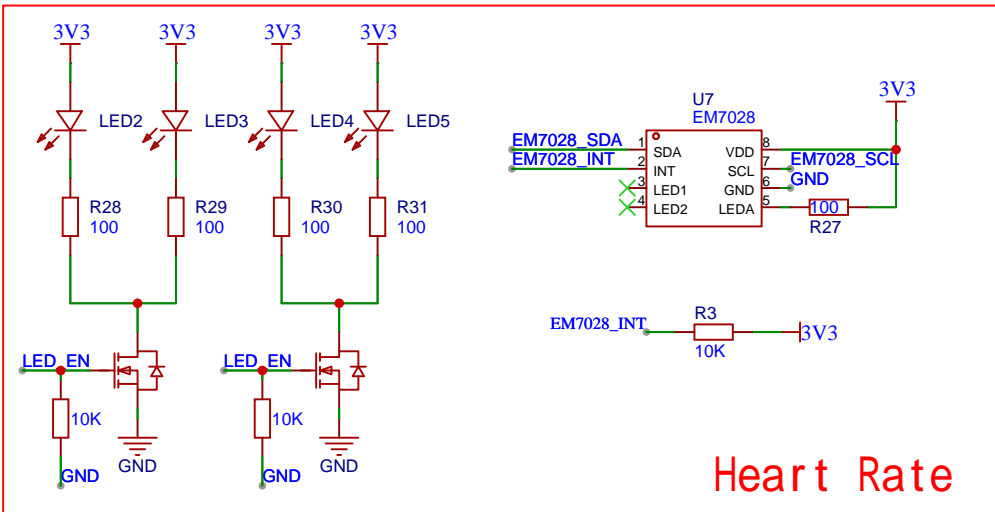
Hygrometer



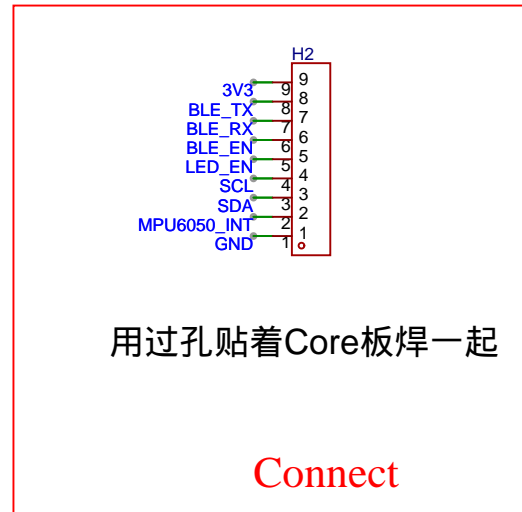
IIC BUS



Electronic Compass



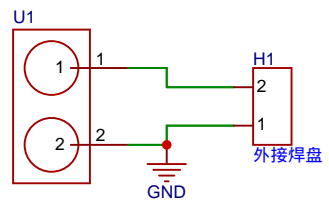
Heart Rate



用过孔贴着Core板焊一起

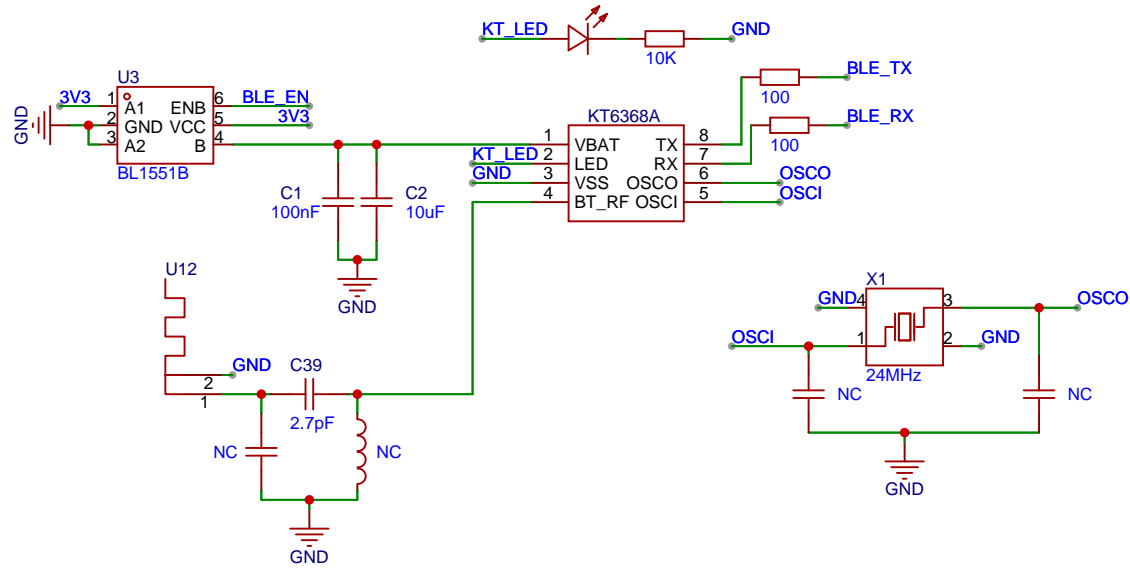
Connect

Schematic	Back		Update Date	2024-05-19
			Create Date	2023-07-01
Page	sensor		Part Number	
Drawn	Kingham	OV-Watch_V2.4		
Reviewed	Kingham			
		VER	SIZE	PAGE 1 OF 3
		V2.0	A4	GDUT



Schematic	Back		Update Date	2023-07-01	
			Create Date	2023-07-01	
Page	充电盘		Part Number		
Drawn		OV-Watch_V2.4			
Reviewed					
		VER	SIZE	PAGE	2 OF 3
		V1.0	A4	嘉立创EDA	

自由选择大小，最好LED串10K电阻，不会太亮



Schematic	Back			Update Date	2024-05-29
				Create Date	2023-07-01
Page	BLE			Part Number	
Drawn	OV-Watch_V2.4				
Reviewed					
	VER	SIZE	PAGE	3	OF 3
嘉立创EDA		V1.0	A4	嘉立创EDA	